

*The new JOMO SLK-plus –
variable and individually suitable*



EXCLUSIVE



ELEGANCE



AVANTGARDE

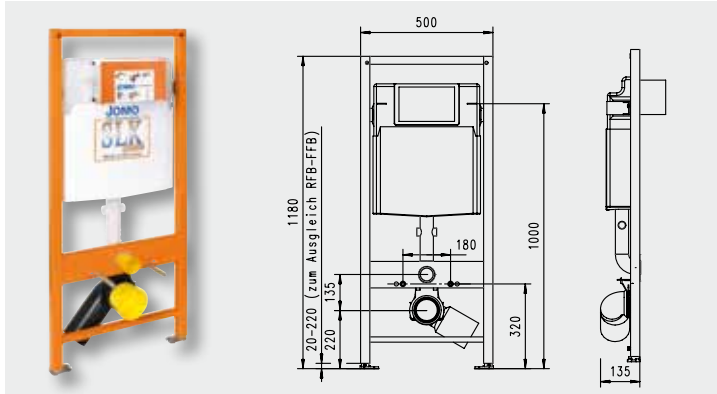


CLASSIC



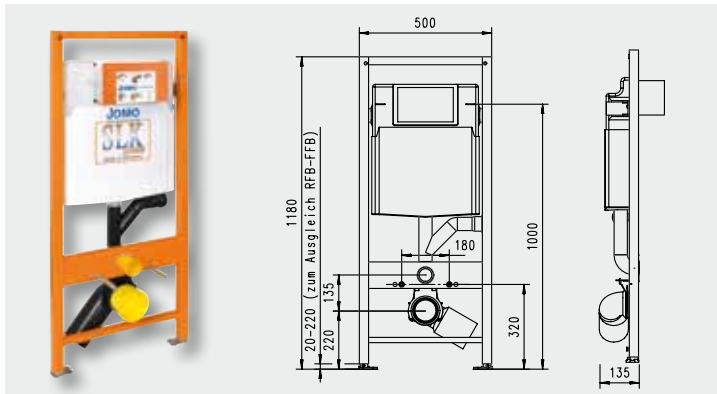
Overview JOMO-mounting elementes for wall-WC

TGA-Construction Technology



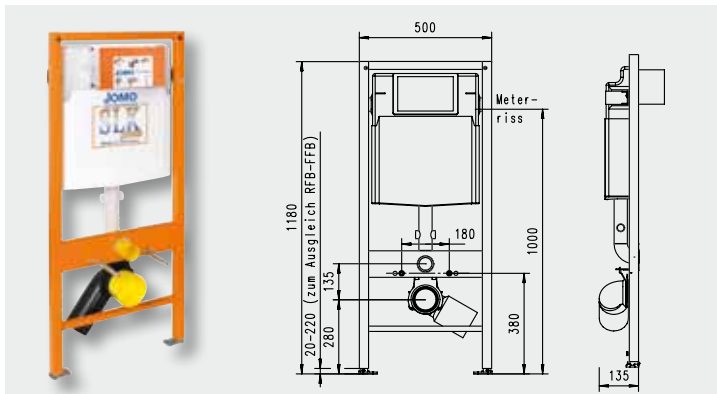
173-10010100-00

JOMO TGA Individual Unit for wall-WCs, with SLK Plus built-in sanitary tank, two-stage flush technology, controlled from the front and a unit height of 1180mm



173-10010199-00

JOMO TGA Individual Unit for wall-WCs, with SLK Plus built-in sanitary tank, odor extraction, two-stage flush technology, controlled from the front and a unit height of 1180mm



Barrier Free

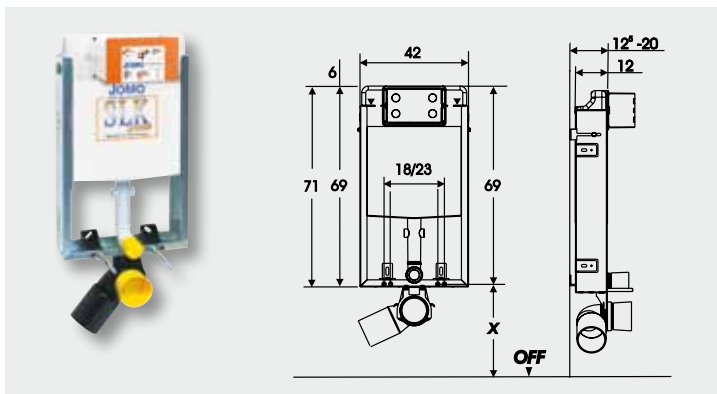
173-20010100-00

JOMO TGA Individual Unit for wall-WCs, with SLK plus built-in sanitary tank for barrier-free construction, two-stage flush technology, controlled from the front, unit height 1180mm



Improved Protection during Construction:

- ▮ stable protection during construction for improved form stability
- ▮ easy assembly and easily shortened because of its channeled surface
- ▮ the foldable lid allows you to open and close the construction protection at any time



164-14800400-00

JOMOFIX mounting element for wall-WC's with built-in sanitary tanks for operation from the front



Accessories

173-30010000-00

JOMO TGA wall fixture for individual elements, short, for wall fastening, 360° rotating, continuously variable angular adjustment, for 135-175mm construction depth

Accessories

173-30020000-00

JOMO TGA wall fixture for individual elements, long, for wall fastening, 360° rotating, continuously variable angular adjustment, for 175-300mm construction depth



Please note our separate leaflets or visit us at www.jomo.eu

WERIT Sanitär-Kunststofftechnik GmbH & Co. KG | Industriepark Nord 27 | D-53567 Buchholz
Tel. 02683 976-0 | Fax 02683 6465 | buchholz@werit.eu | www.jomo.eu | www.werit.eu

JOMO
Die Sanitär-Marke
der WERIT Gruppe